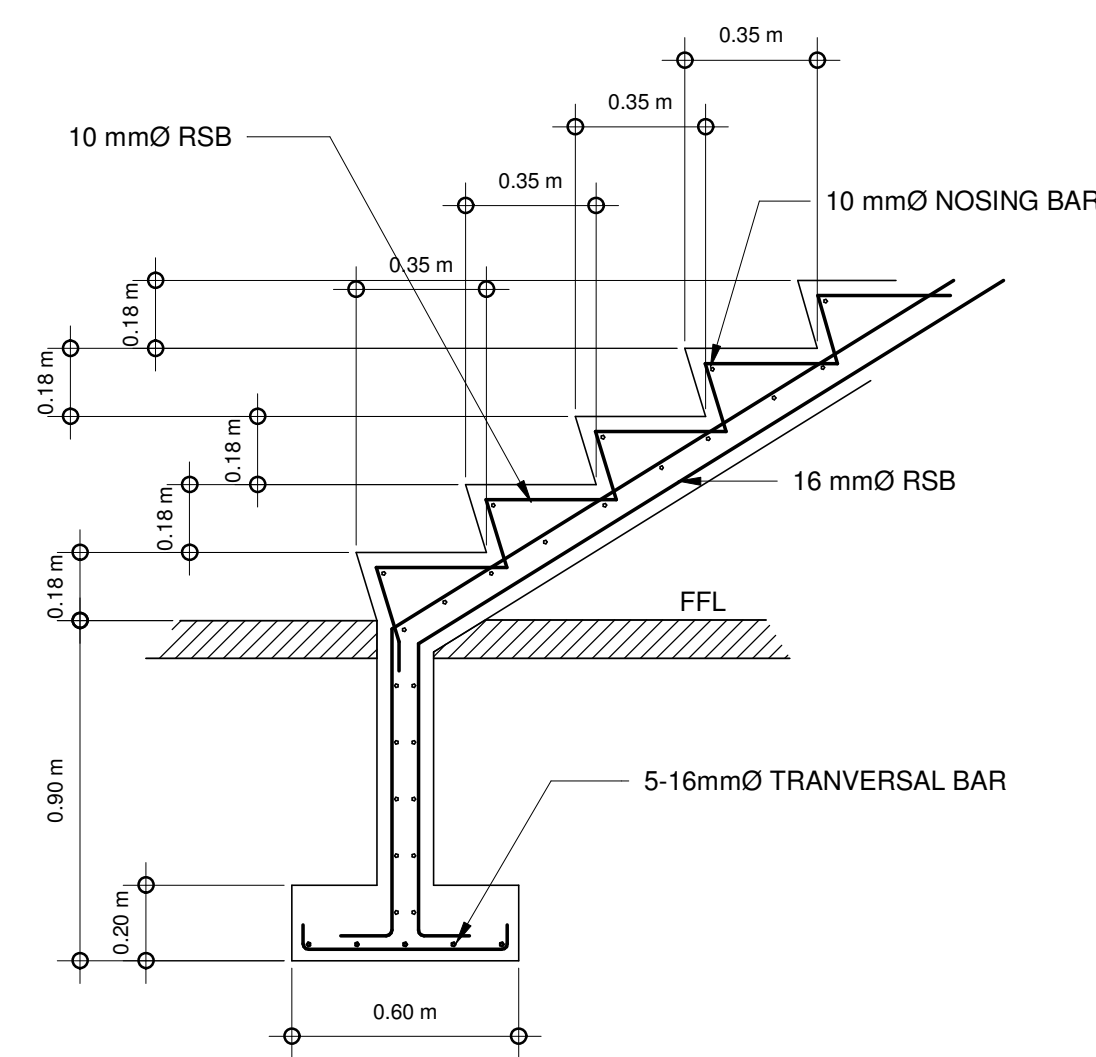
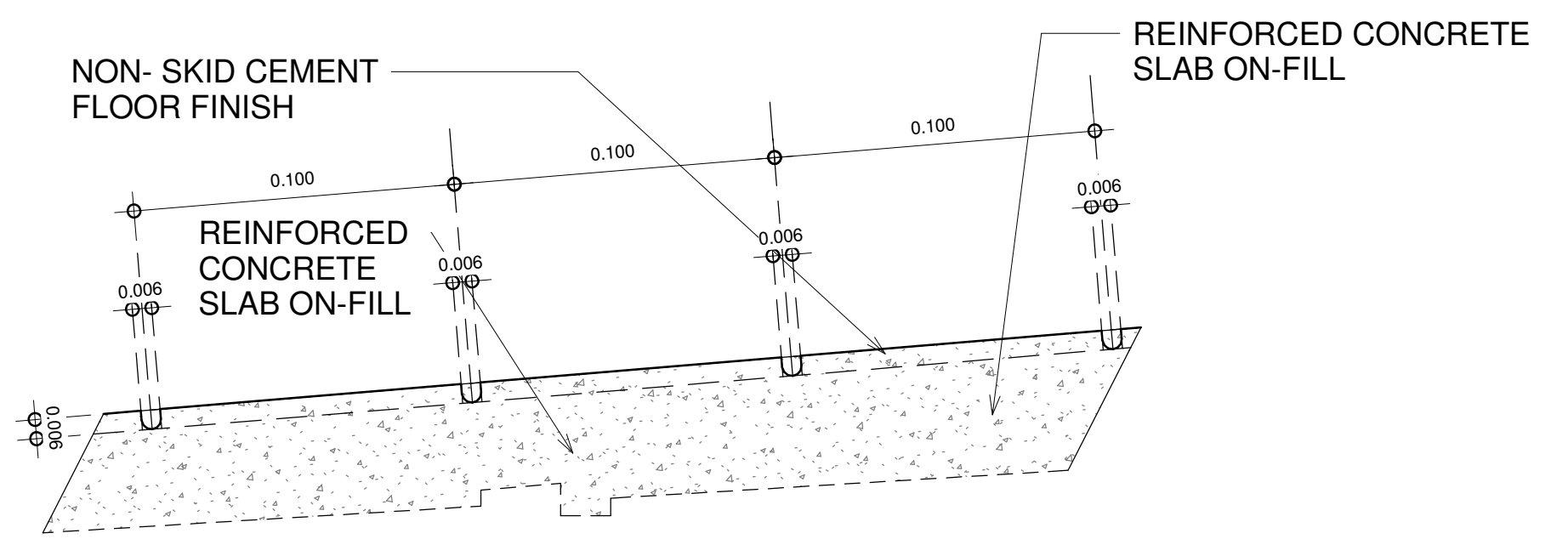
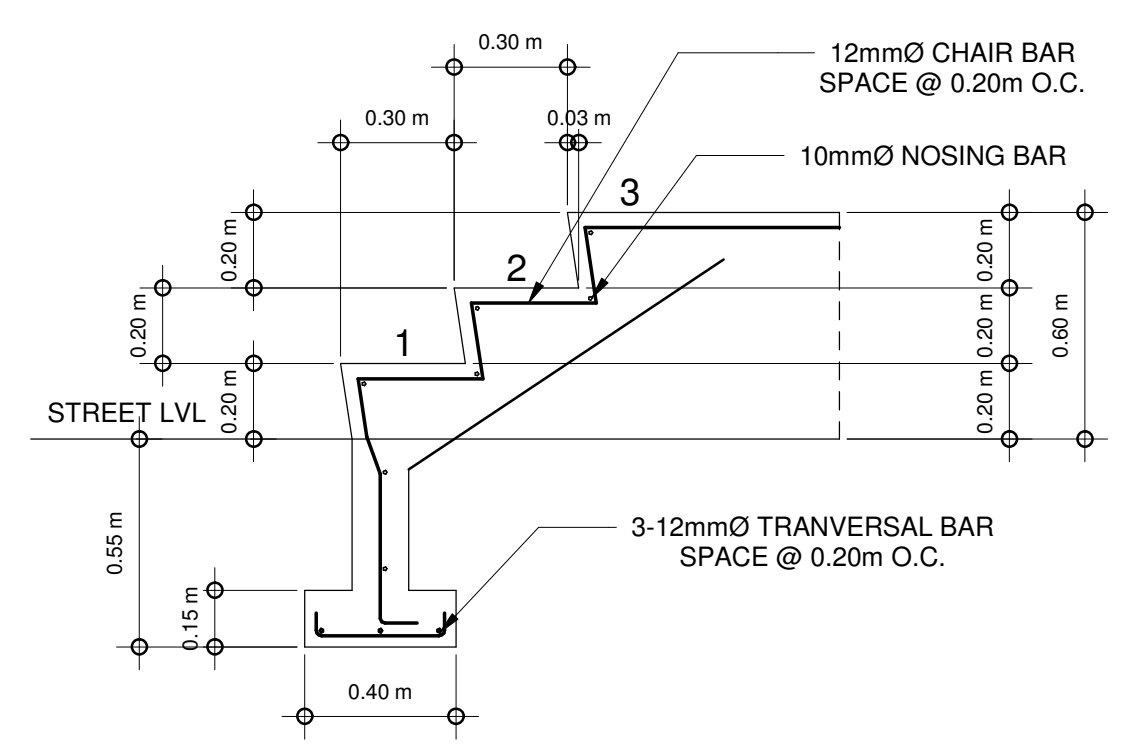


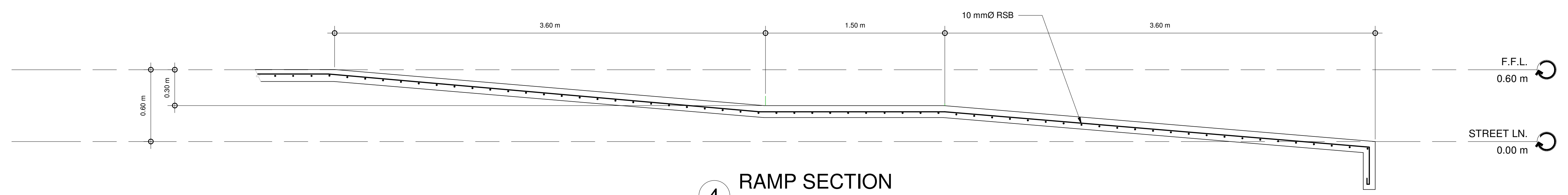
**1 SECTION OF SLAB / STAIR SECTION DETAIL**  
1 : 20 meters



**2 STAIR FOOTING DETAIL**  
1 : 20 meters



**3 SPOT DETAIL OF RAMP FLOORING**  
1 : 2 meters



**4 RAMP SECTION**  
1 : 20 meters

 <p><b>PHYSICAL PLANNING AND DEVELOPMENT OFFICE</b> 2/F ADMINISTRATION BLDG. MARIANO MARCOS STATE UNIVERSITY CITY OF BATAK, 2906 ILOCOS NORTE TELEFAX: +63 (77)792-3191</p>	<p>FROM THE OFFICE:</p>	<p>DRAWN BY: <b>BJAYA A. DAYANG</b> DRAFTSMAN I</p>	<p>SIGNED &amp; SEALED BY: <b>ROMEO R. DULDUALO</b> STRUCTURAL ENGINEER</p>	<p>PROJECT TITLE: <b>CONSTRUCTION OF RDE BUILDING PHASE III</b></p>	<p>CONFORME: <b>BJORN S. SANTOS</b> DIRECTOR, RESEARCH</p>	<p>APPROVED BY: <b>SHIRLEY C. AGRUPIS</b> UNIVERSITY PRESIDENT</p>	<p>SHEET CONTENTS: SECTION OF SLAB / STAIR SECTION DETAIL STAIR FOOTING DETAIL SPOT DETAIL OF RAMP FLOORING RAMP SECTION</p>	<p>SHEET NO: S-9 9 11</p>
	<p>PREPARED BY: <b>PHILIP P. PADRE</b> ENGINEER I</p>	<p>PRC NO.: 43483 PTR: 0146501 PLACE ISSUED: CITY OF BATAK DATE: JANUARY 03, 2022 TIN: 122-592-110</p>	<p>LOCATION: MMSU CRL-CITY OF BATAK, ILOCOS NORTE</p>	<p>RECOMMENDING APPROVAL: <b>ROMEO R. DULDUALO</b> DIRECTOR, PPOD</p>	<p>Drawings and specifications and other contract documents duly signed, stamped or sealed, as instruments of service, are the intellectual property and documents of the architect, whether the object for which they are made is executed or not. It shall be unlawful for any person to duplicate or to make copies of said documents for use in the repetition of and for other project or building, whether executed partly or in whole, without the written consent of architect or author of said document. Art. IV-Sec. 33RA9266</p>			